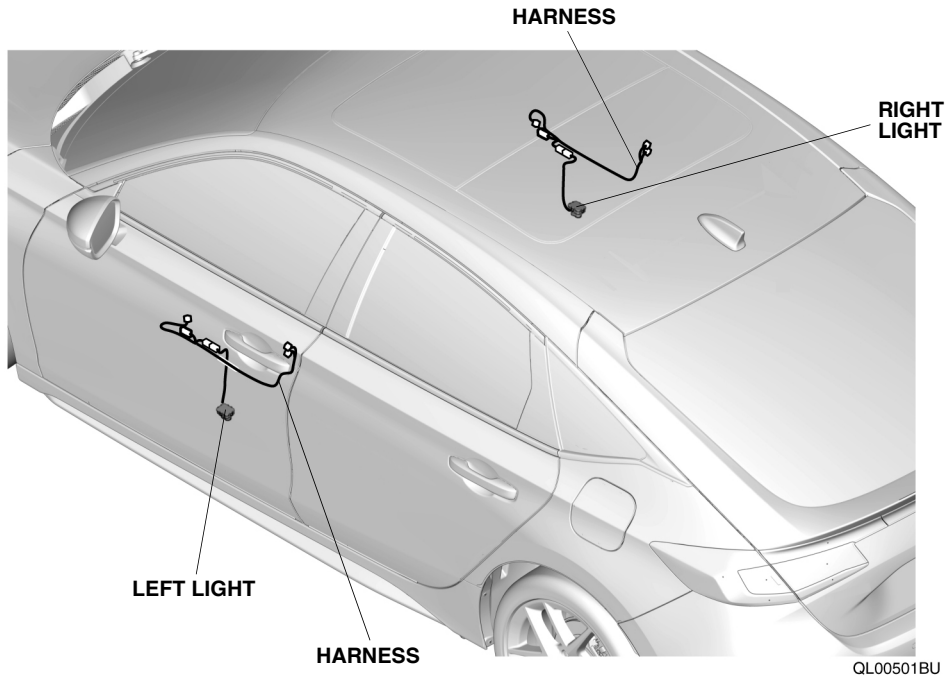


PATTERN PROJECTOR LIGHTS

*CIVIC*

### GENERAL VIEW



### FOR YOUR SAFETY (Read carefully)

#### Introduction of Symbol Messages

- These symbols warn you about the possible hazards and explain how to avoid them. The symbols also provide you with some advice.

**⚠ DANGER**

You will be killed or seriously hurt if you do not follow the instructions.

**⚠ WARNING**

You may be killed or seriously hurt if you do not follow the instructions.

**⚠ CAUTION**

You may be hurt if you do not follow the instructions.

**NOTICE**

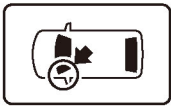
Gives advice to prevent damage to the product.  
Gives helpful information or instructions to be followed in using the product.



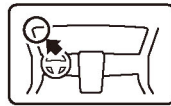
Indicates prohibited actions.

## Introduction of Icons

- These icons indicate the working place and the worker's viewing angle.



The place for the vehicle.



The place for the instrument panel.

- These icons indicate the necessary actions that need to be taken to ensure your safety and the success of the work.



Wear eye protection.



Wear heavy gloves.



Work with an assistant.



Place the part on a blanket.



Remove any burrs.



Use the touch-up paint and dry.



Keep the parts and give them to the customer. (Do not use)



Press firmly.



Tighten by the specified torque.

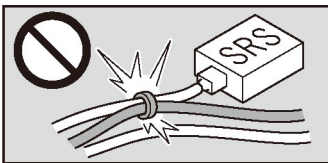


Work perpendicularly.

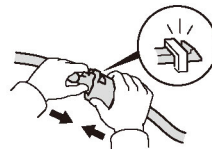


Clean with the contact cleaner.

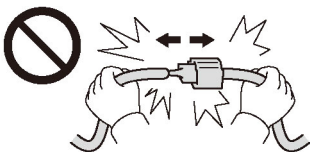
## Wire Harness Routing Precaution



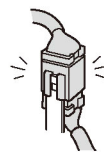
**Do not clamp the accessory harness and SRS harness together.**



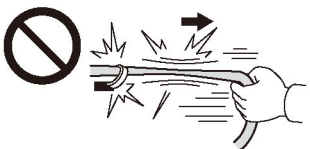
**Connect the connectors and terminals securely until they lock.**



**Do not pull the harness to disconnect the connectors.**



**Reinstall the connectors to their original positions if they were removed.**



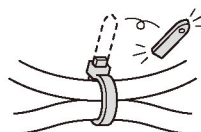
**Do not pull the harness strongly.**



**Secure the accessory harness to the specified position so that the accessory harness does not hang down.**



**Do not pinch the harness with the parts.**



**Cut off the excess from the wire ties.**

## Safety: General

- Follow all safety information and precautions described in the workshop manual in addition to those described in these installation instructions. Most importantly, take extreme care to ensure your own safety and the safety of others.
- Be careful not to damage the vehicle and the parts.
- Be extremely careful when you handle the retaining tabs and clips.
- Note the locations of the parts before removing them so that they can be reinstalled in their original positions properly.
- The illustrations may differ a little from the actual accessories for the design change of the vehicle.

## Safety: For Electric Parts



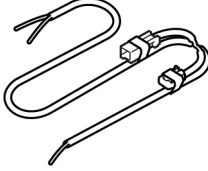
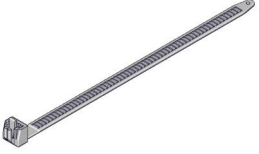

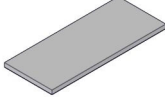
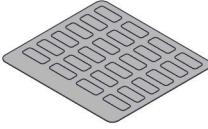
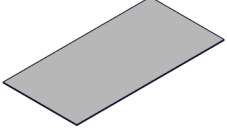

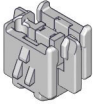
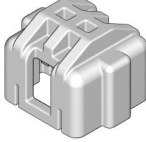
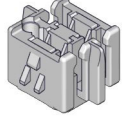
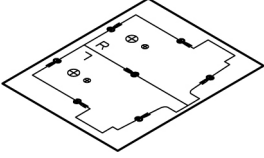
- Do not install the accessories if the negative cable of the battery is connected.

## Safety: For the Accessories

- **Always use the parts and tools specified in the installation instructions.**
- **Do not carry out any installation or attachment work in an area that receives direct sunlight or in an area where dust is present.**
- **Always install these accessories at the ambient air temperature 15°C (60°F) or above.**
- **Heat the accessories and bonding surfaces if the ambient air temperature is below 15°C (60°F).**
- **Attach the accessories by pressing them firmly with the palm of your hand. Be careful not to damage the accessories and the vehicle parts.**
- **Carefully place the double-sided adhesive tape in the proper position. Once the double-sided adhesive tape touches the surface, do not try to detach and relocate the tape. If you attempt to move the tape after it comes into contact with the surface, you will damage the part before the adhesive can be detached.**

# PARTS LIST

## Pattern Projector Lights Kit

<p>Right light (Identification mark: R)</p> 	<p>Left light (Identification mark: L)</p> 	<p>Harnesses (2)</p> 	<p>Wire ties (10)</p> 
<p>Self-tapping screws (2)</p> 	<p>Urethane tape (4)</p> 	<p>Fuse label</p> 	<p>Aluminium tape (2)</p> 
<p>Joint connector covers A (white) (4)</p> 	<p>Joint connector cases A (white) (4)</p> 	<p>Joint connector covers B (sky blue) (2)</p> 	<p>Joint connector cases B (sky blue) (2)</p> 
<p>Template</p> 			

## TOOLS AND SUPPLIES REQUIRED

- Phillips screwdriver
- Electrical tape
- Ratchet
- Pushpin
- Scissors
- File
- Eye protection (face shield, safety goggles, etc.)
- 10mm open end wrench
- Contact cleaner
- 10mm socket
- Drill
- Flat-tip screwdriver
- Handy remover
- 3mm, 6mm, 8mm and 11mm drill bits
- Nippers
- Shop towel
- Pliers
- Masking tape
- Tape
- Ruler

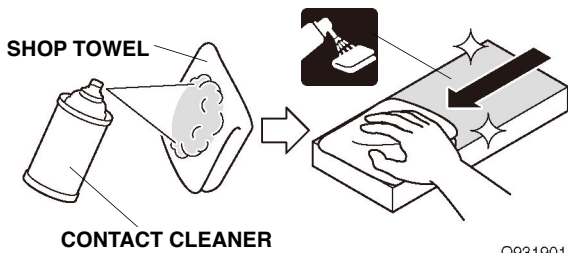
# INSTALLATION

## How to Use the Contact Cleaner

- Using contact cleaner on a shop towel, thoroughly clean the areas where the accessories will be attached.

### NOTICE

- Always use the contact cleaner.
- Do not apply the cleaner to the object of the work directly.
- Allow the cleaned areas to dry completely before beginning attachment work.



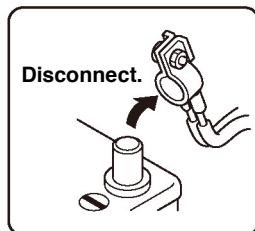
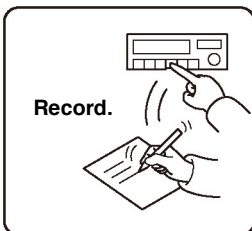
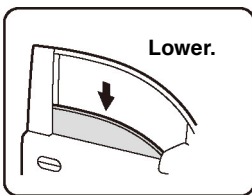
Q931901DW

## Disconnecting the Battery Cable

- Perform the work before you disconnect the negative cable from the battery as shown below.
- Make sure that you have the anti-theft code for the audio/navigation system. Record some settings of the vehicle if necessary.
- Disconnect the negative cable from the battery.

### NOTICE

- For hybrid vehicles, ensure that the negative cable is not disconnected from the battery for three minutes after turning the power switch to OFF.



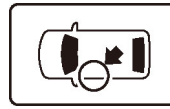
QCD0502BM

## Removing the Vehicle Parts

- Attach the tape to protect the vehicle.

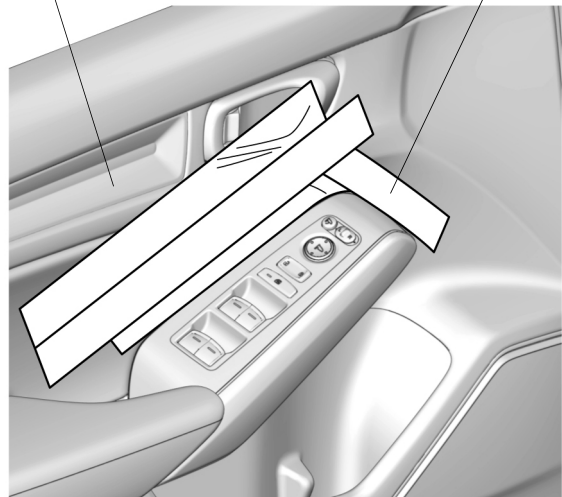
### NOTICE

- Do not remove the tape until after the reinstallation.



LEFT FRONT  
DOOR LINING

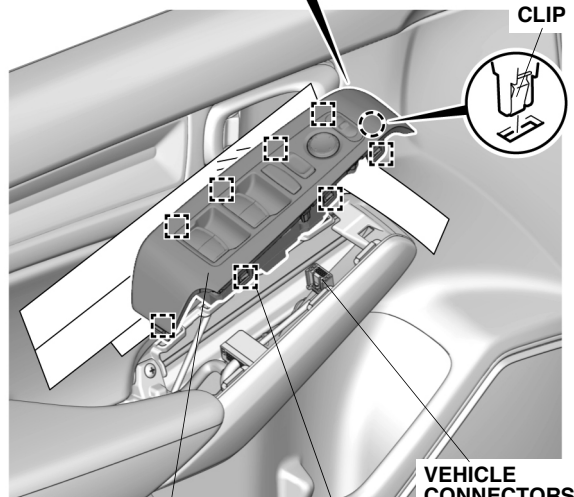
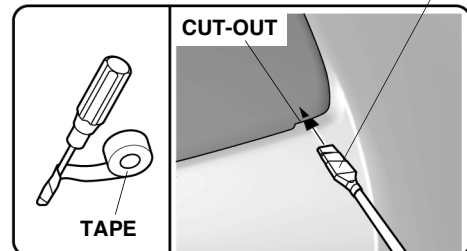
TAPE



QL00708AU

- Remove the left front door switch panel.

FLAT-TIP  
SCREWDRIVER

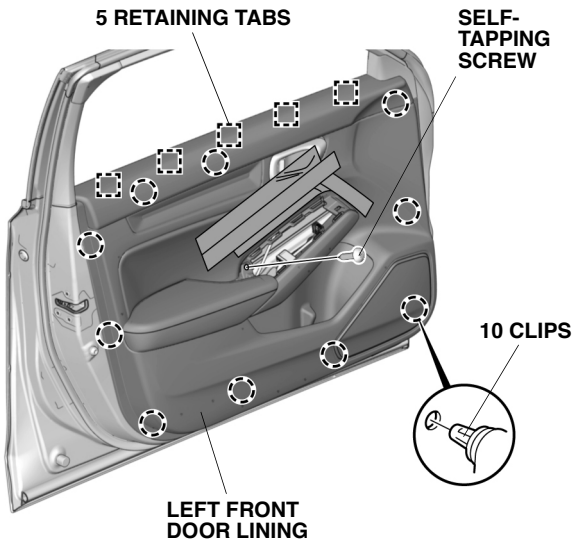


LEFT FRONT DOOR  
SWITCH PANEL

8 RETAINING  
TABS

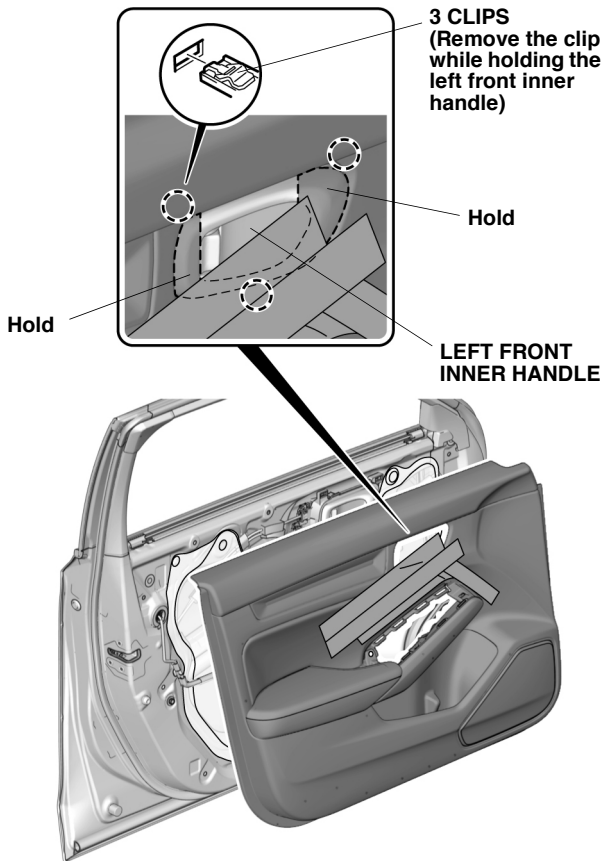
QL00709AU

6. Release the left front door lining.



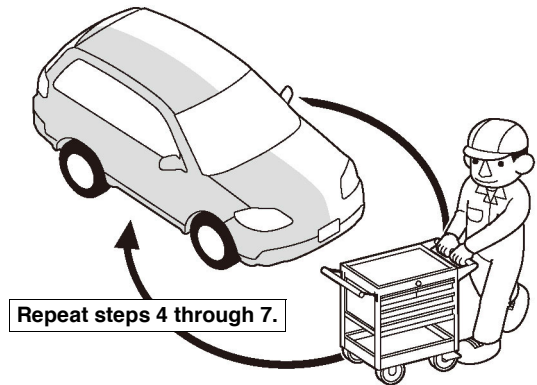
QL00710AU

7. Remove the left front door lining.



QL00711AU

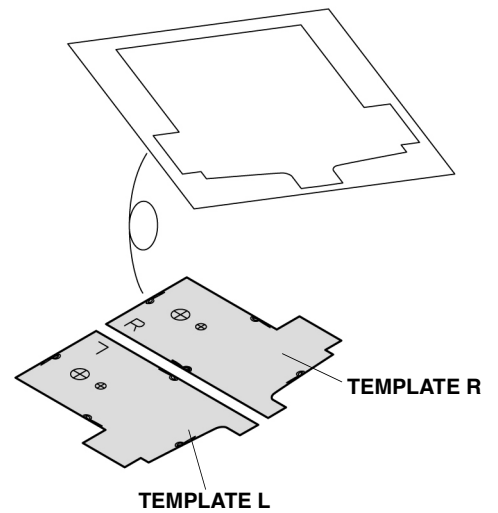
8. Repeat the same procedures on the other side.



Q9D1012AE

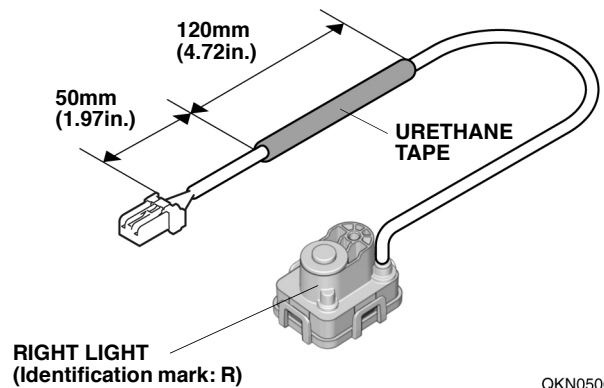
### Installing the Lights

9. Cut the template.



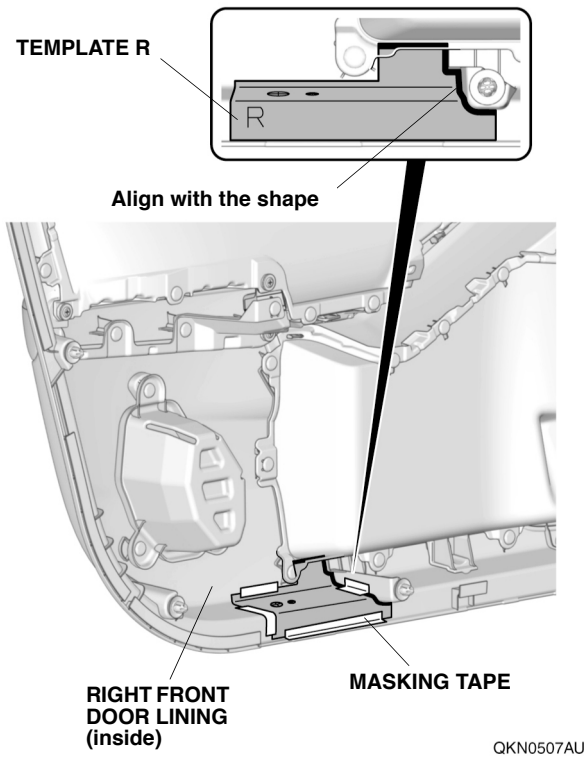
QKN0505BU

10. Attach the urethane tape.

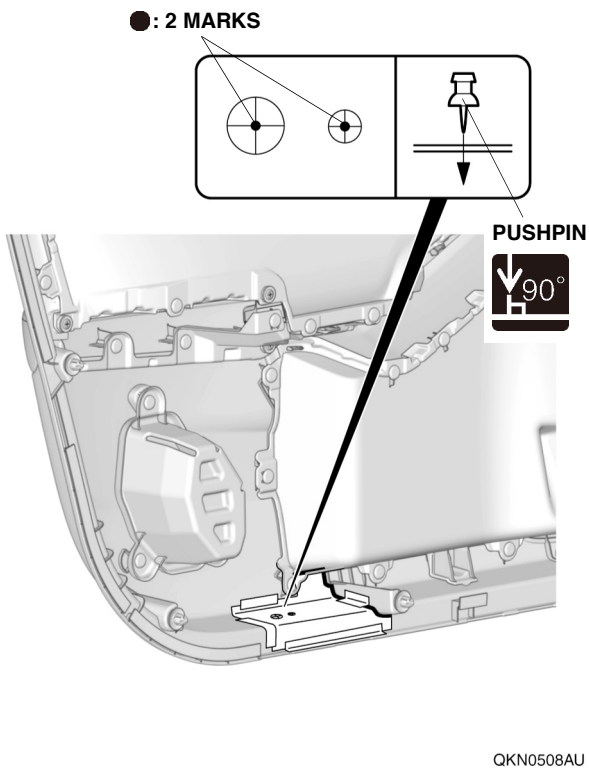


QKN0506BU

11. Secure the template.

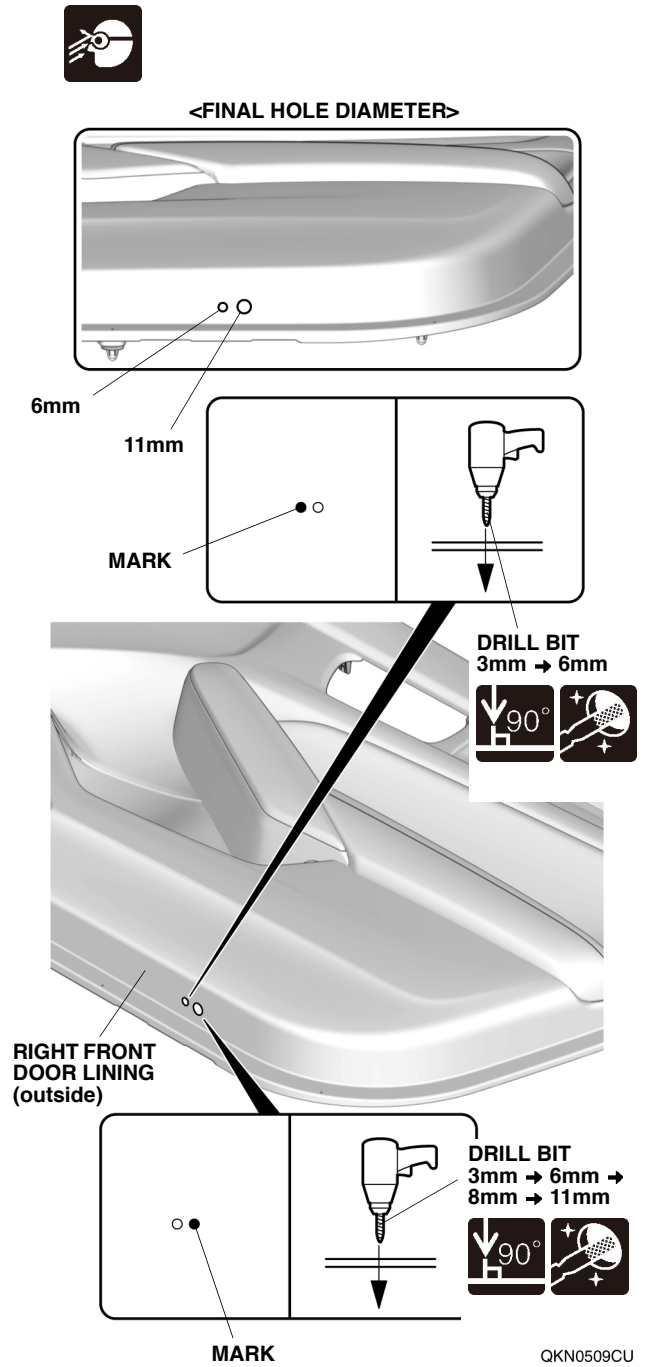


12. Pierce the right front door lining.

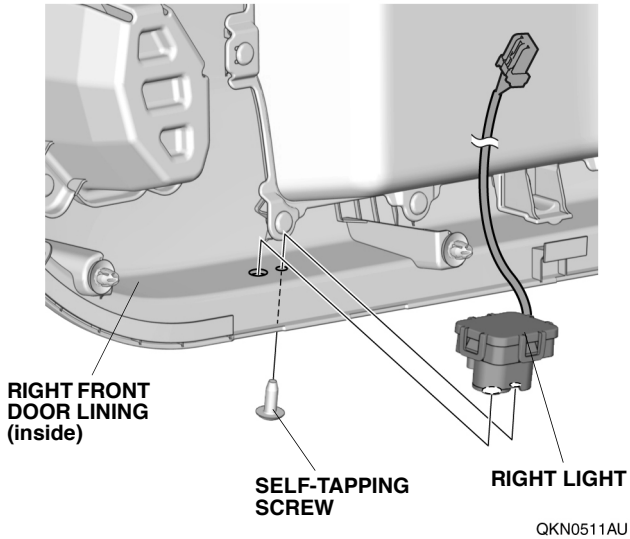


13. Remove template R.

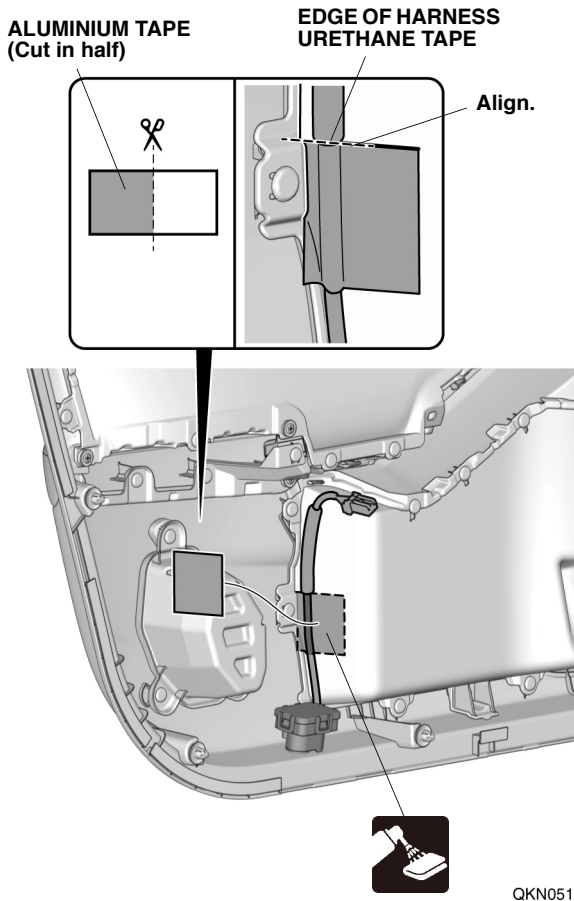
14. Drill the right front door lining.



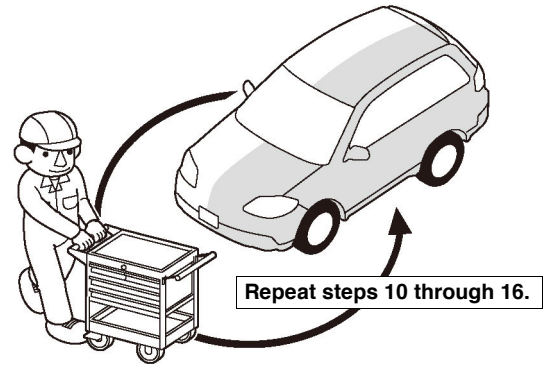
15. Install the light.



16. Secure the right light harness.



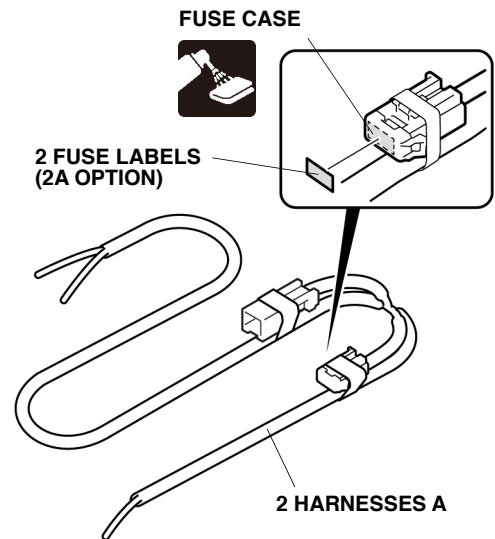
17. Repeat the same procedures on the other side.



Q9D1013AM

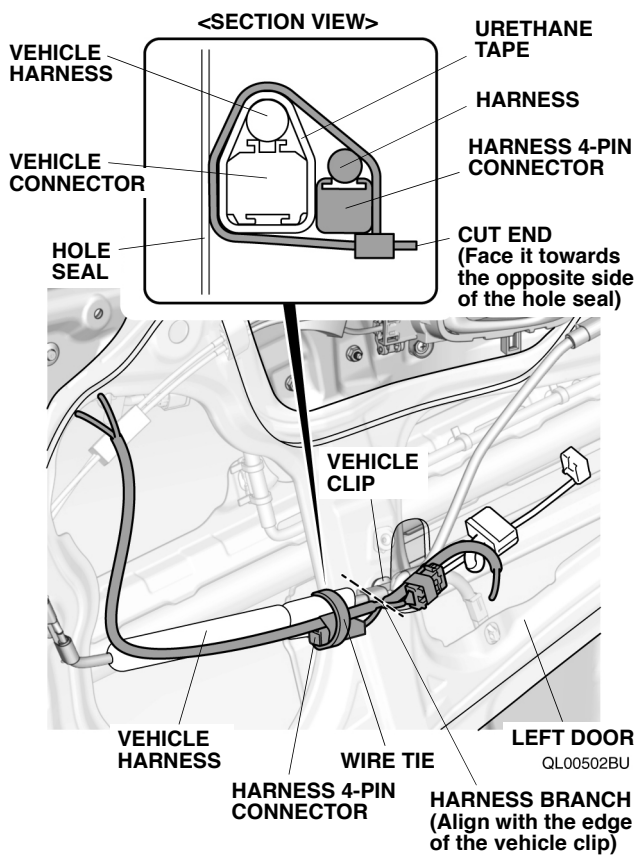
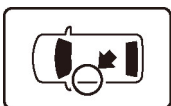
## Routing the Harness

18. Attach the fuse labels.



QKN0513BU

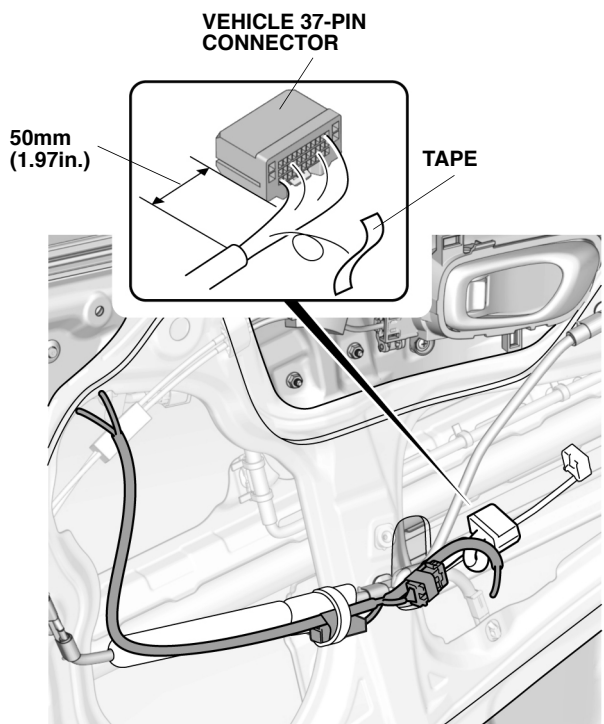
19. Secure the harness.



20. Cut out the tape.

**NOTICE**

- Be careful not to damage the vehicle harness.

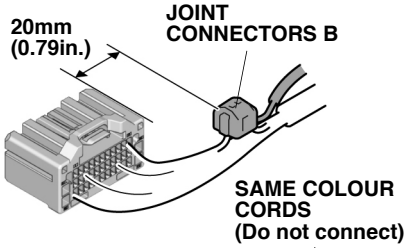


QL00503AU

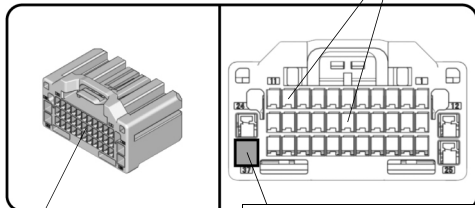
21. Connect the harness cord.

**NOTICE**

- Make sure to correctly connect the cord.



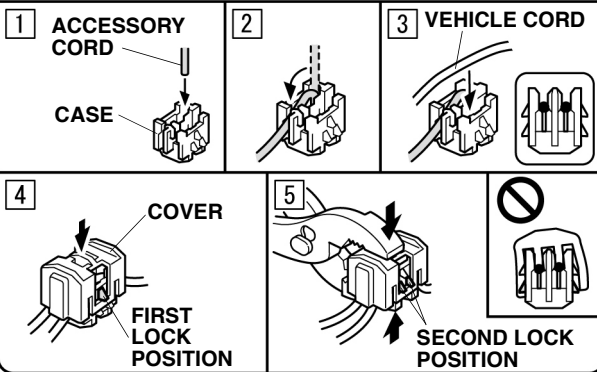
<HARNESS SIDE VIEW>



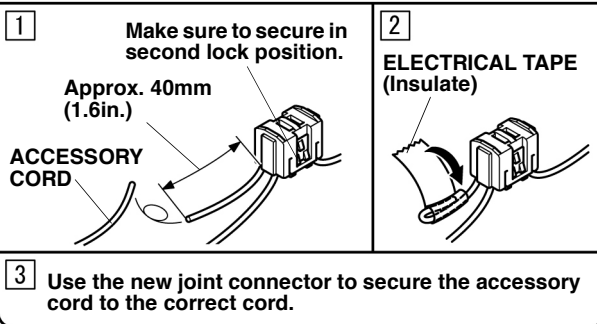
VEHICLE 37-PIN CONNECTOR

VEHICLE CORD: YELLOW  
ACCESSORY CORD: RED  
JOINT CONNECTOR B (sky blue)

**How to Use the Joint Connector**



**How to deal with an incorrectly secured joint connector.  
Do not remove the secured joint connector.**

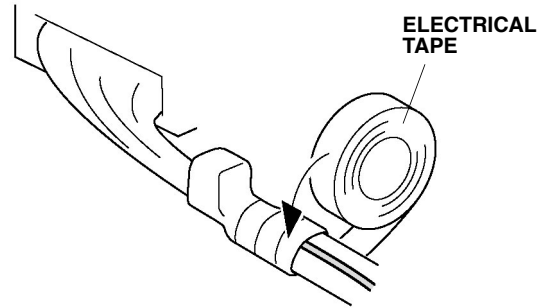


QL00522AU

22. Secure the harness cord.

**NOTICE**

- Wrap the electrical tape around the tubes and tape of the vehicle harness.

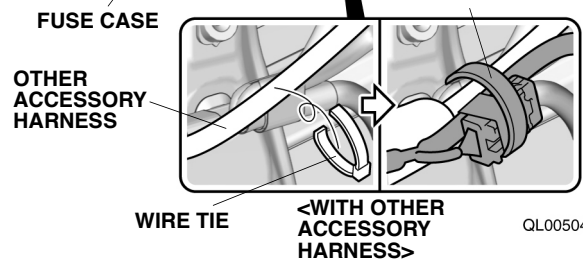
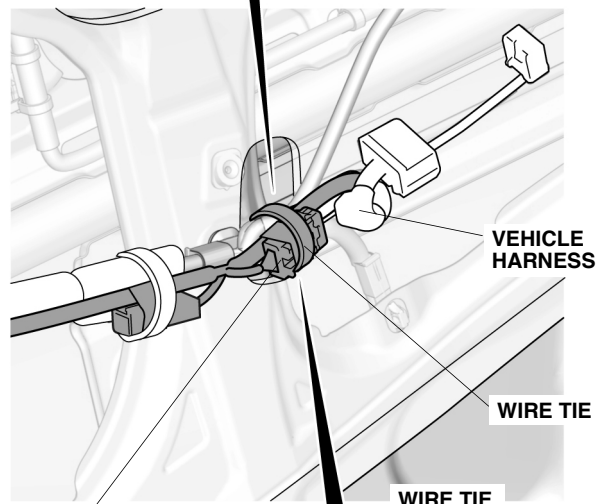
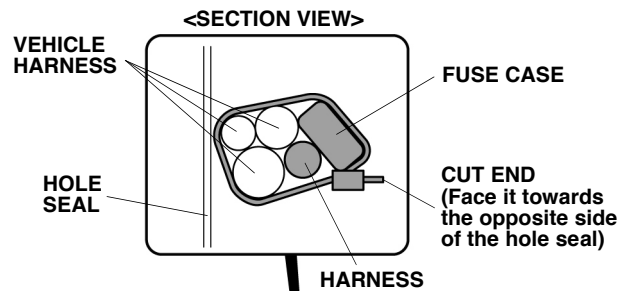


QJ80163AR

23. Secure the harness and fuse case.

**NOTICE**

- Be careful not to damage the harness.

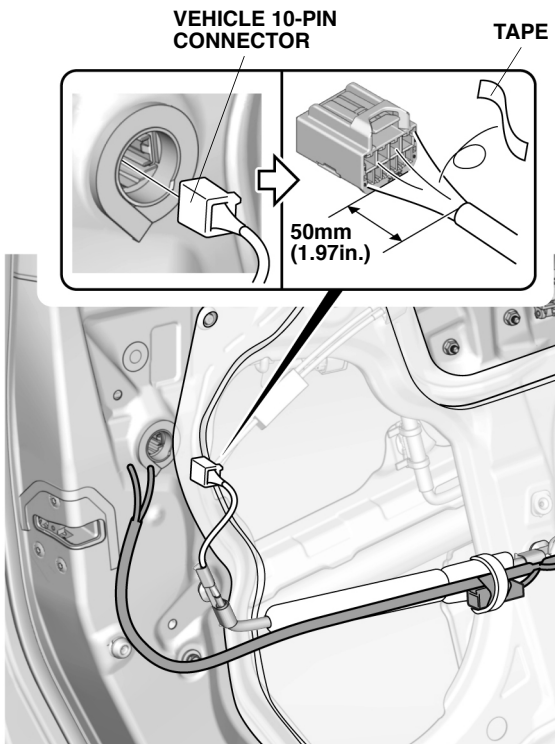


QL00504AU

24. Disconnect the vehicle connector.
25. Cut out the tape.

**NOTICE**

- Be careful not to damage the vehicle harness.

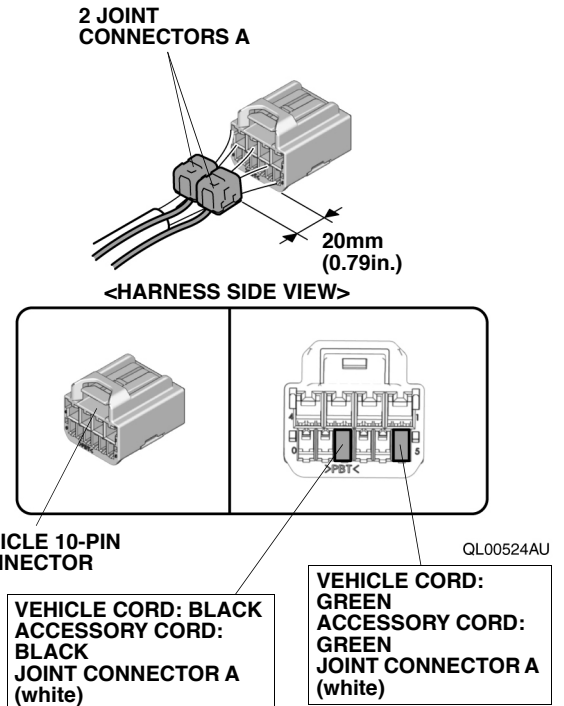


QL00505AU

26. Connect the harness cords.  
(Refer to "How to Use the Joint Connector" in step 21.)

**NOTICE**

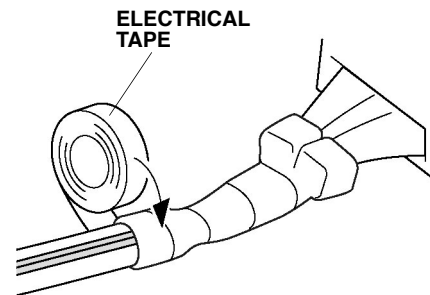
- Make sure to correctly connect the cord.



27. Secure the harness cords.

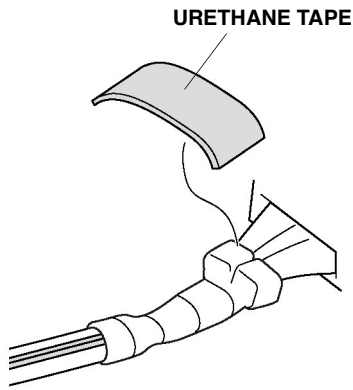
**NOTICE**

- Wrap the electrical tape around the tubes and tape of the vehicle harness.



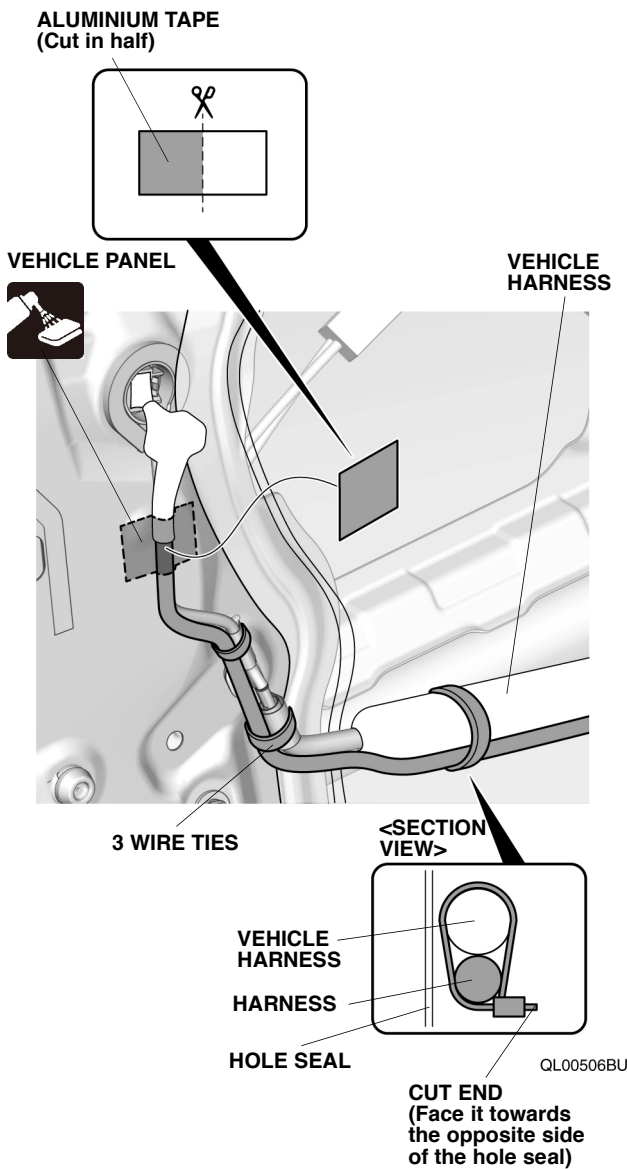
QG70331AT

28. Wrap the urethane tape around.

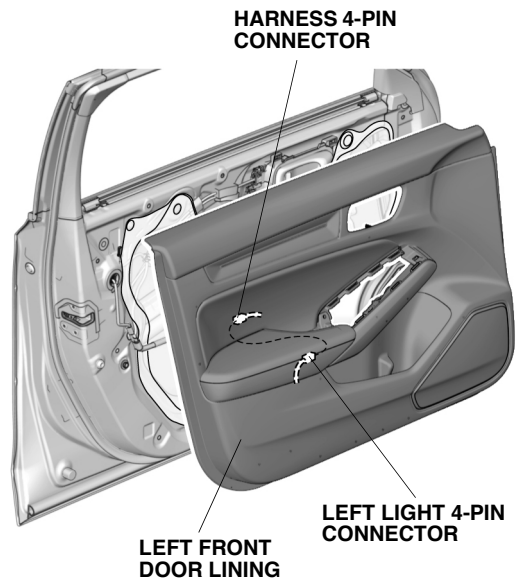


QG70320BT

29. Reconnect the vehicle connector.  
30. Secure the harness.

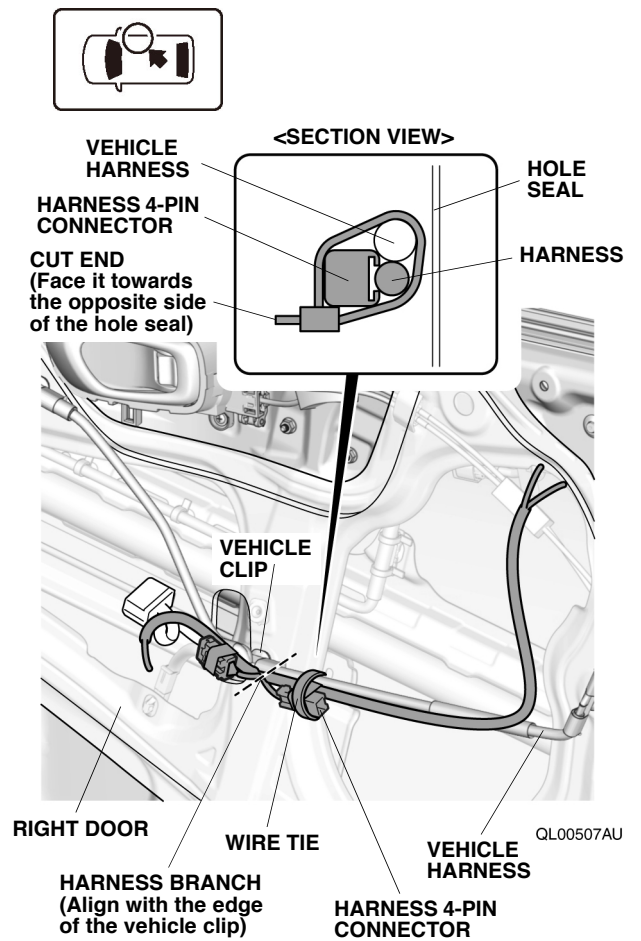


31. Connect the harness connector.  
32. Reinstall the left front door lining.



QKN0527AU

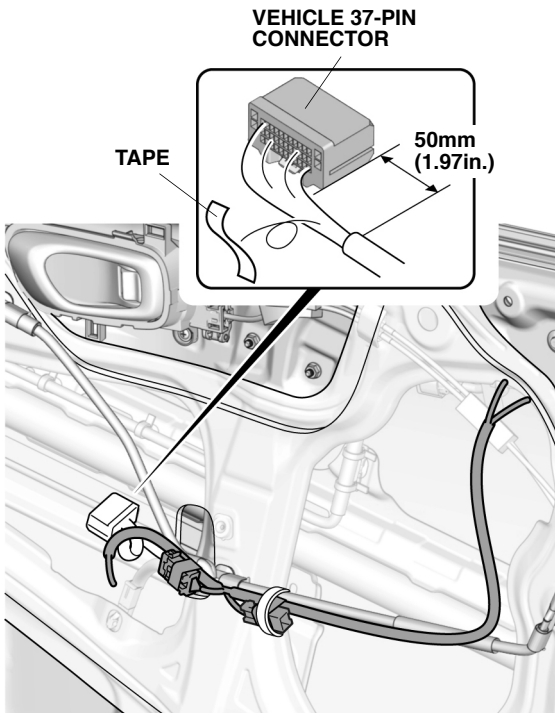
33. Secure the harness.



34. Cut out the tape.

**NOTICE**

- Be careful not to damage the vehicle harness.

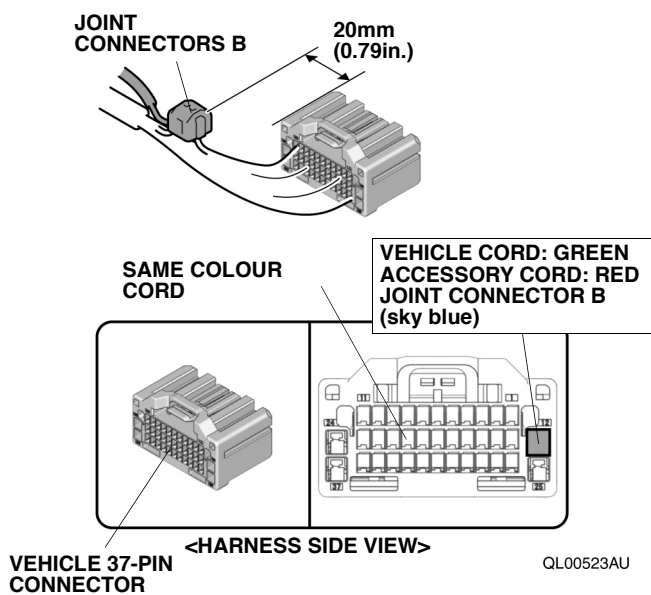


QL00508AU

35. Connect the harness cord.  
(Refer to "How to Use the Joint Connector" in step 21.)

**NOTICE**

- Make sure to correctly connect the cord.

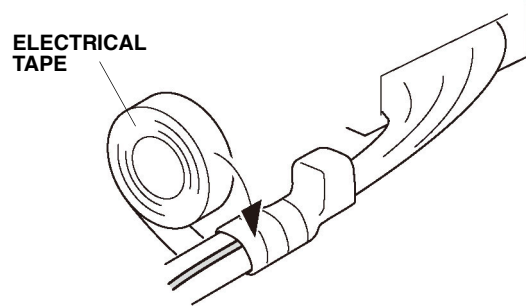


QL00523AU

36. Secure the harness cord.

**NOTICE**

- Wrap the electrical tape around the tubes and tape of the vehicle harness.

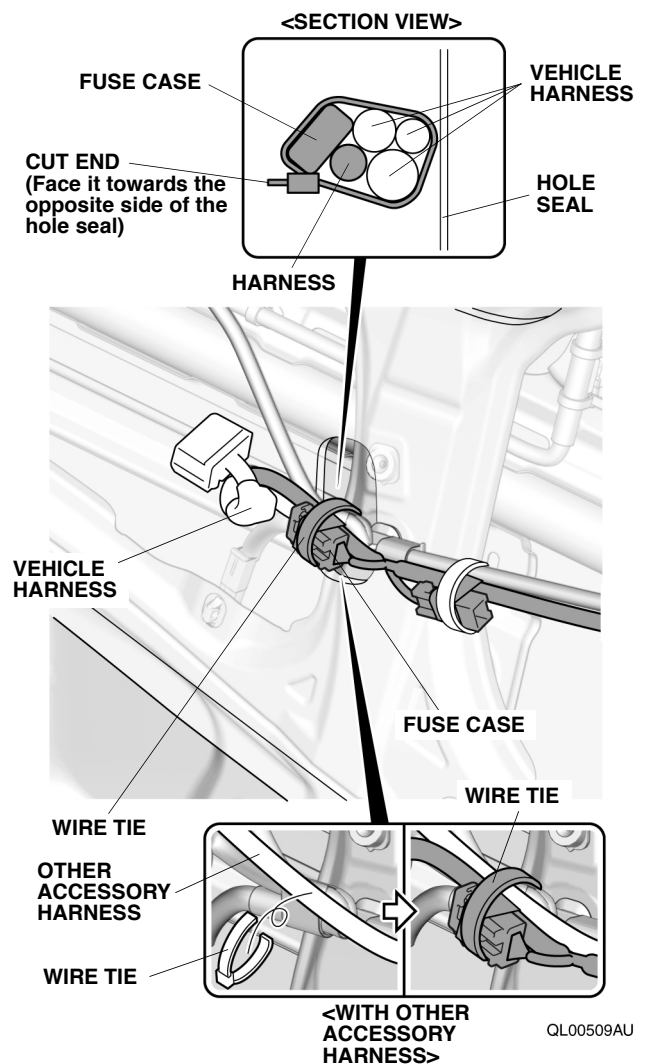


QH00207AT

37. Secure the harness and fuse case.

**NOTICE**

- Be careful not to damage the harness.

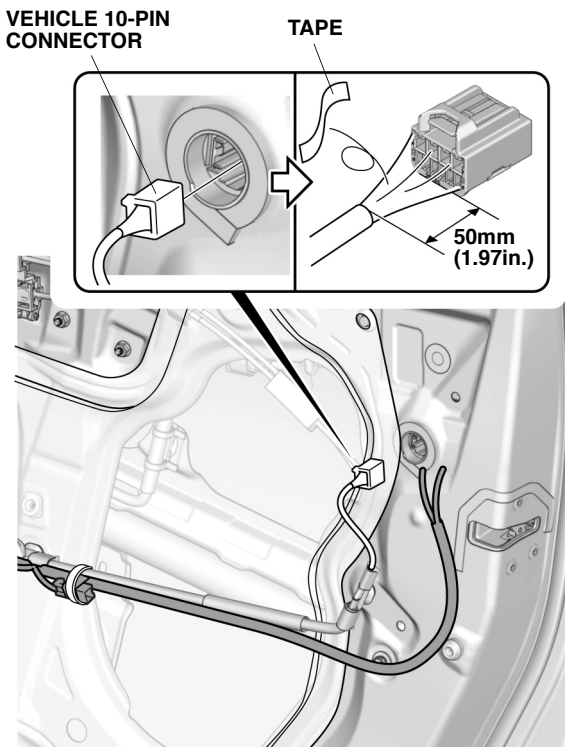


QL00509AU

38. Disconnect the vehicle connector.
39. Cut out the tape.

**NOTICE**

- Be careful not to damage the vehicle harness.

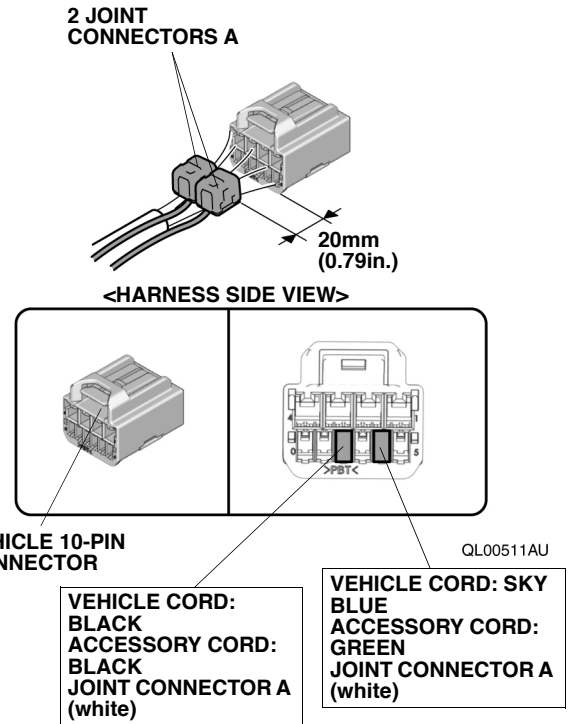


QL00510AU

40. Connect the harness cords.  
(Refer to "How to Use the Joint Connector" in step 21.)

**NOTICE**

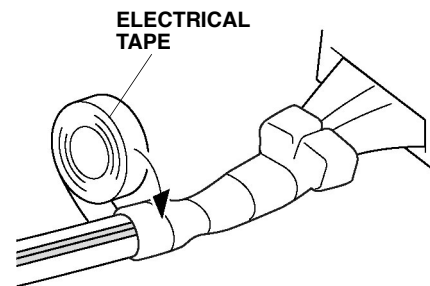
- Make sure to correctly connect the cord.



41. Secure the harness cords.

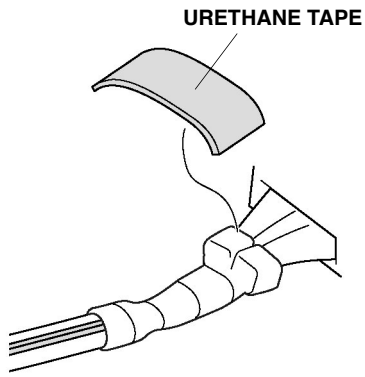
**NOTICE**

- Wrap the electrical tape around the tubes and tape of the vehicle harness.



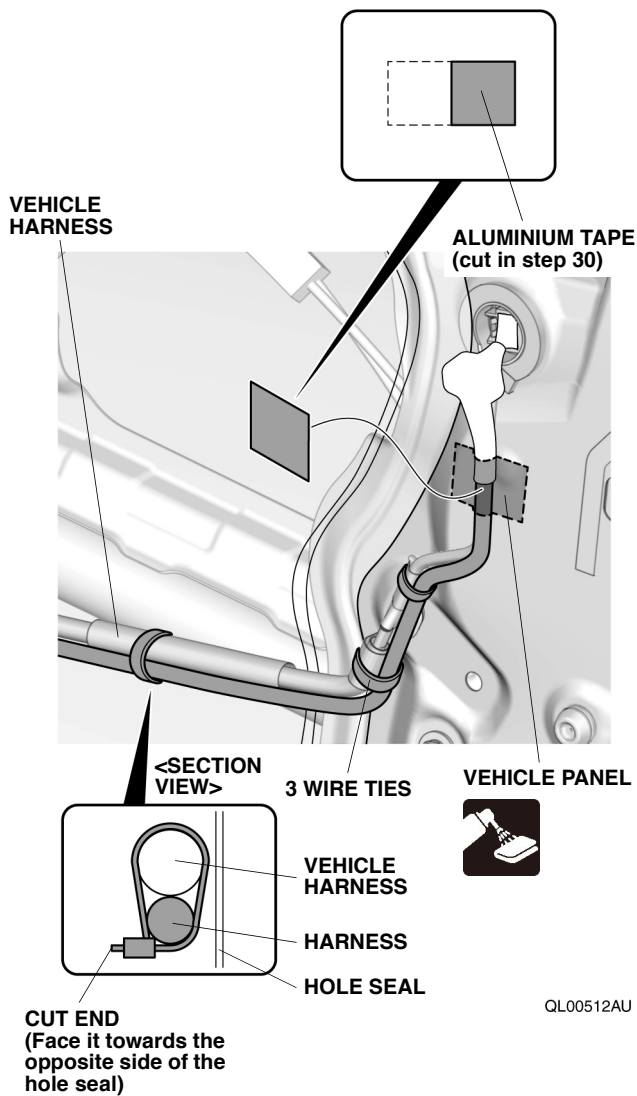
QG70331AT

42. Wrap the urethane tape around.



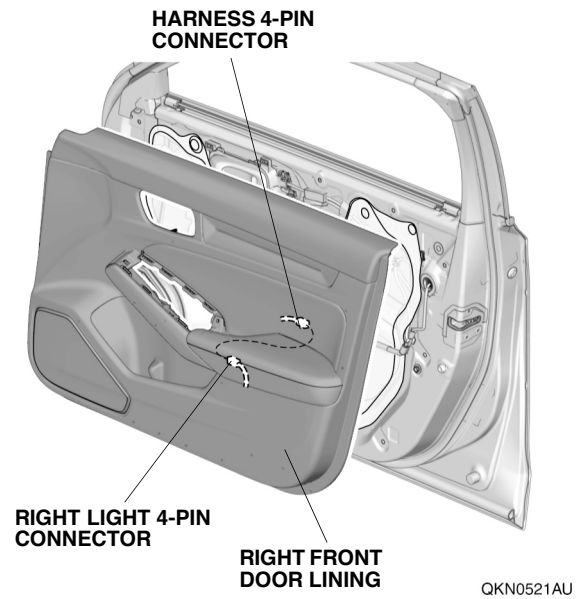
QG70320BT

43. Reconnect the vehicle connector.  
44. Secure the harness.



QL00512AU

45. Connect the harness connector.  
46. Reinstall the right front door lining.

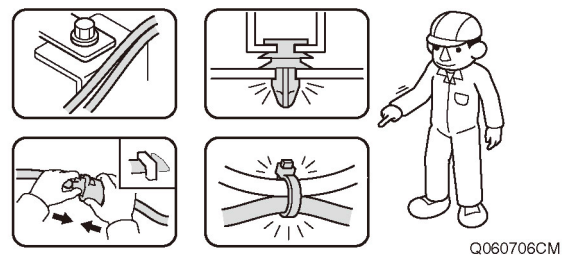


### Check After Installation

47. Check that all parts are routed and installed properly.

#### NOTICE

- Check that the harnesses are not pushed, not pulled and not pinched.
- Check that all clamps and wire ties are installed securely.

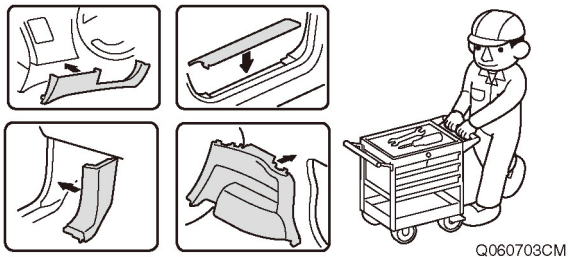


## Reinstalling the All Removed Parts

48. Reinstall all removed parts.

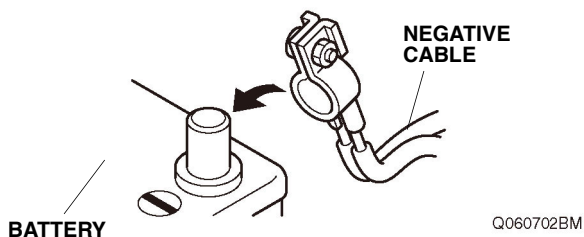
### NOTICE

- Be extremely careful not to damage the vehicle parts or pinch the harnesses.
- Make sure to secure the retaining tabs and clips properly to avoid separation.



## Operation Check

49. Reconnect the negative cable to the battery.



50. Check that the light comes on by opening a door.

## Vehicle Check

51. Check that the electric accessories and systems operate properly.
52. Press and hold the audio power button for two seconds, or enter the anti-theft code for the audio/navigation system.
53. Reset the memory of each piece of equipment and restore the positions of the control knobs.

